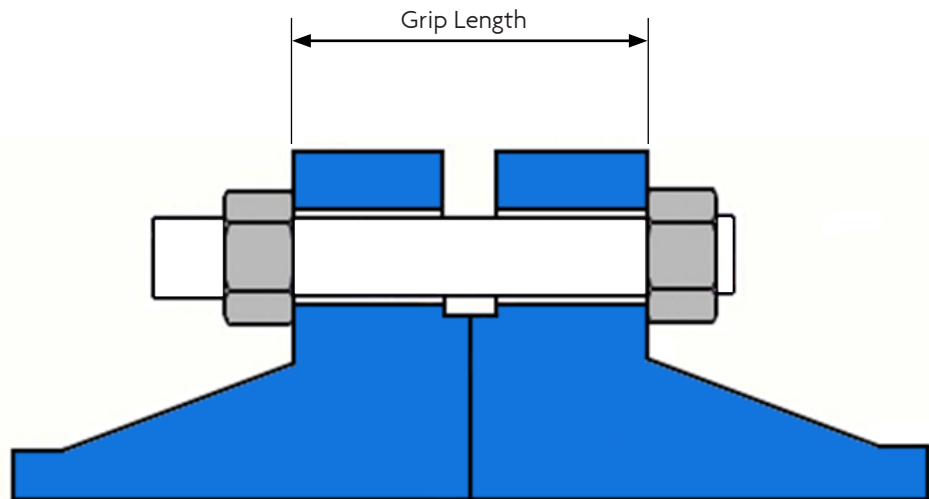
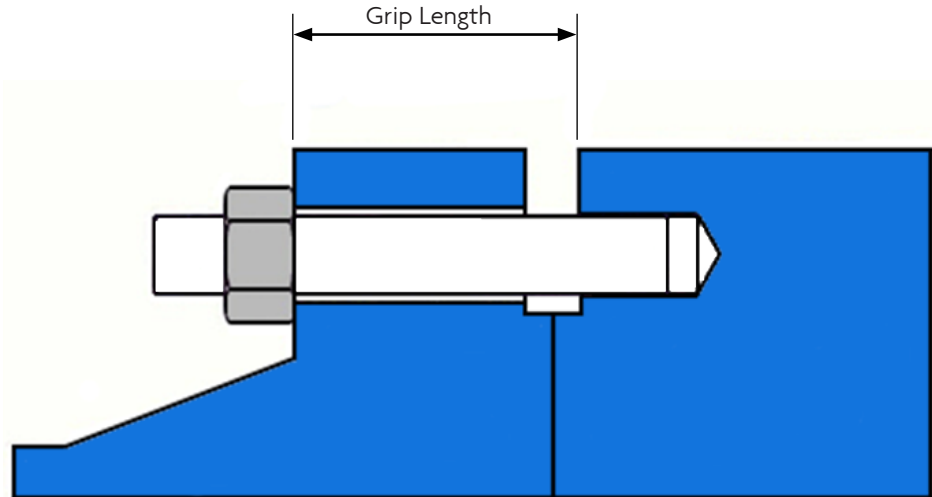


HYDRAULIC BOLT TENSIONING

Definition of Bolt Grip Length



BOLTIGHT®
HYDRAULIC BOLT TENSIONING

BOLTIGHT is the UK
Registered Trade Mark
of Boltight Limited

FMA 001 B