

HYDRAULIC BOLT TENSIONING

Nut and Thread Protective Caps

Boltight metal thread protection caps are available to protect either the bolt threads or the bolt threads and the nut. The Boltight thread cap screws onto, and protects, the bolt threads that protrude through the nut. The Nut & Thread Cap screws onto the bolt threads but has a skirt which fits over and protects the nut also. Boltight metal protection caps are available from various materials, the most common being aluminium, carbon steel and stainless steel.

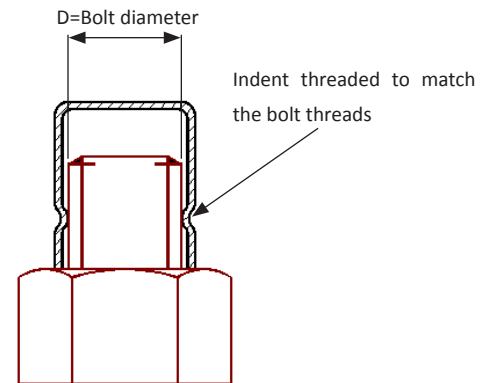
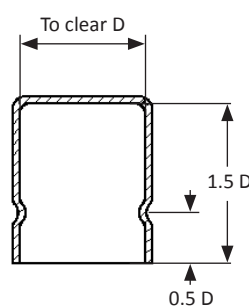
Caps are available to fit standard imperial and metric bolts. Custom made caps can also be manufactured.

Nut & Thread Caps

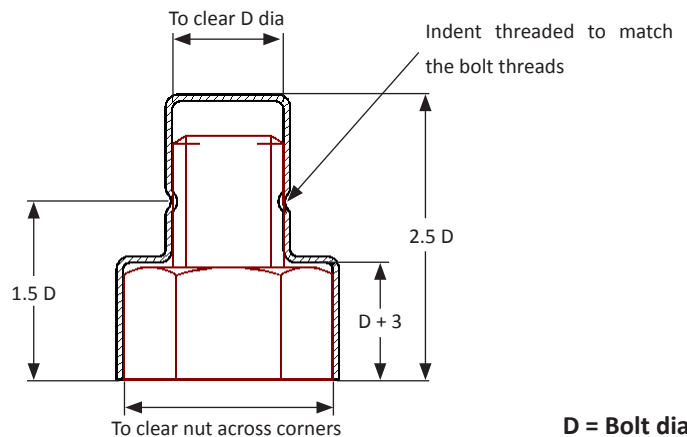
Thread Caps



Thread Cap



Nut & Thread Cap



D = Bolt diameter



BOLTIGHT®
HYDRAULIC BOLT TENSIONING

BOLTIGHT is the UK Registered Trade Mark of Boltight Limited