

HYDRAULIC BOLT TENSIONING

NHL and NHM Series Hydraulic Nuts for Mounting Bearings

Boltight's NHL and NHM Series Hydraulic Nuts make mounting bearings a quick and easy operation.

Mounting bearings onto tapered seatings and shafts can be difficult and time-consuming; the Boltight hydraulic nuts provide the high axial loads required to assemble the bearings, operated with a safe and easy to use hydraulic system.

The hydraulic nuts have a maximum 800 bar operation pressure. The high applied force and large piston stroke are suitable for the most difficult applications.

The Boltight NHL and NHM bearing mounting hydraulic nuts are interchangeable with HMV series hydraulic nuts. Contact Boltight for advice on comparable model numbers.

The hydraulic nuts are supplied with two side ports. One is fitted with a quick connect nipple. The other port is plugged as standard, but can be used to connect a pressure transducer or a pressure gauge.

NHL hydraulic nuts

Our smooth bore NHL nuts are used extensively in heavy industry and shipyards for mounting bearings, gears or propellers on tapered shafts. They can be used with threaded shafts installed with a reaction nut behind the nut. Alternatively they can be used with non-protruding shafts fitted with axial threaded holes and a reaction plate. By generating a higher force than standard threaded nuts, the applications for this design are much more versatile.

NHM hydraulic nuts

Our NHM nuts can be used for mounting and dismantling bearings directly onto a tapered shaft or through a conical adapter or withdrawal sleeve. They are designed specifically to reduce the operational time spent on installing or dismantling a bearing.

Ancillary Equipment

The NHL and NHM series hydraulic nuts are suitable for use with Boltight standard hydraulic air pumps, hand pumps and hydraulic hoses. All ancillary equipment is kept in stock for quick delivery.

Specification

- Wide size range
- 50mm to 500mm Shaft Diameter
- Quick connection can be fitted in the side or face of nut for clearance
- Ergonomic tommy bar holes for easy assembly
- Eyebolts included for nuts models over 30kg
- Quick delivery
- Complimentary pumps and hoses kept in stock
- Low maintenance seal design
- Special threads and sizes available
- Supplied with pressure test certification
- Comprehensive operating and safety manual



NHL and NHM hydraulic nuts



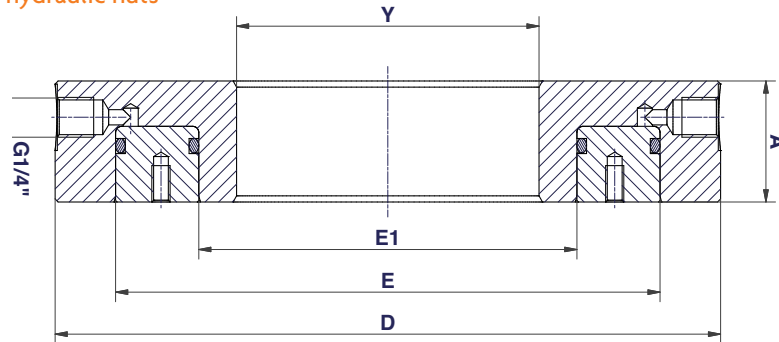
BOLTIGHT[®]
HYDRAULIC BOLT TENSIONING

BOLTIGHT is the UK
Registered Trade Mark
of Boltight Limited

HYDRAULIC BOLT TENSIONING

NHL and NHM Series Hydraulic Nuts for Mounting Bearings

NHL hydraulic nuts



					All measurements in mm					
Model Number	Max Load at 800 bar	Pressure Area	Stroke	Maximum Oil Volume	Height	Outside Diameter	Bearing Face Outside Diameter	Bearing Face Inside Diameter	Bore Diameter	Weight
	kN	cm ²	mm	cm ³	A	D	E	E1	Y	kg
NHL100	1054	132	10	132	40	220	180	125	100	9.5
NHL125	1100	137	10	137	40	245	200	150	125	9.8
NHL150	1173	147	10	147	40	270	226	180	150	12.5
NHL175	1286	161	11	177	45	305	250	205	175	17
NHL200	1602	200	12	240	50	330	280	230	200	21
NHL225	2070	259	12	310	50	365	313	255	225	23
NHL250	2553	319	12	383	50	390	345	280	250	28
NHL275	3228	403	12	484	50	430	380	305	275	34
NHL300	3511	439	13	570	55	470	410	335	300	44
NHL325	4021	503	13	653	55	500	440	360	325	49
NHL350	4863	608	13	790	55	540	475	385	350	57
NHL375	5781	723	13	939	55	575	510	410	375	65
NHL400	6498	812	15	1218	60	620	545	440	400	83



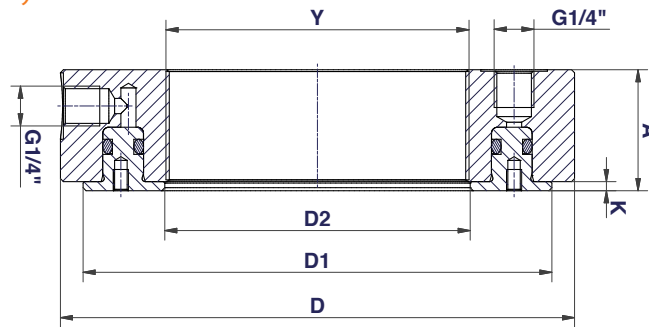
BOLTIGHT®
HYDRAULIC BOLT TENSIONING

BOLTIGHT is the UK Registered Trade Mark of Boltight Limited

HYDRAULIC BOLT TENSIONING

NHL and NHM Series Hydraulic Nuts for Mounting Bearings

NHM hydraulic nuts



All measurements in mm											
Model Number	Max Load at 800 bar	Pressure Area	Stroke	Maximum Oil Volume	Height	Outside Diameter	Bearing Face Outside Diameter	Bearing Face Inside Diameter	Piston Flange Thickness	Thread Size	Weight
	kN	cm ²	mm	cm ³	A	D	D1	D2	K	Y	kg
NHM50	243	30	4	12	40	110	98	51	2	M 50x1.5	2.6
NHM55	250	31	4	13	40	118	105	56	2	M 55x2	2.7
NHM60	253	32	4	13	40	125	112	61	2	M 60x2	2.8
NHM65	283	35	4	14	40	132	118	66	3	M 65x2	3.1
NHM70	327	41	4	16	40	140	123	71	3	M 70x2	3.3
NHM75	366	46	4	18	40	145	128	76	3	M 75x2	3.5
NHM80	399	50	4	20	40	150	133	81	3	M 80x2	3.7
NHM85	401	50	4	20	40	155	138	86	3	M 85x2	3.8
NHM90	402	50	5	25	40	160	143	91	3	M 90x2	4.1
NHM95	419	52	5	26	40	165	148	96	3	M 95x2	4.3
NHM100	436	54	5	27	40	170	155	101	3	M 100x2	4.5
NHM105	453	57	5	28	42	175	160	106	6	M 105x2	4.7
NHM110	470	59	5	29	42	180	165	111	6	M 110x2	5
NHM115	487	61	5	30	43	185	170	116	6	M 115x2	5.2
NHM120	504	63	5	31	43	190	175	121	6	M 120x2	5.4
NHM125	521	65	5	33	44	195	180	126	7	M 125x2	5.6
NHM130	519	65	5	32	44	200	185	131	7	M 130x2	5.8
NHM135	533	67	5	33	45	205	190	136	7	M 135x2	6
NHM140	549	69	5	34	45	210	196	141	7	M 140x2	6.2
NHM145	565	71	5	35	46	215	202	146	7	M 145x2	6.5
NHM150	582	73	5	36	46	220	207	151	7	M 150x2	6.7
NHM155	647	81	5	40	46	225	214	156	7	M 155x3	7

Table continued



BOLTIGHT®

HYDRAULIC BOLT TENSIONING

BOLTIGHT is the UK Registered Trade Mark of Boltight Limited

HYDRAULIC BOLT TENSIONING

NHL and NHM Series Hydraulic Nuts for Mounting Bearings

Model Number	All measurements in mm										
	Max Load at 800 bar	Pressure Area	Stroke	Maximum Oil Volume	Height	Outside Diameter	Bearing Face Outside Diameter	Bearing Face Inside Diameter	Piston Flange Thickness	Thread Size	Weight
	kN	cm ²	mm	cm ³	A	D	D1	D2	K	Y	kg
NHM160	683	85	6	51	47	235	220	161	7	M 160x3	7.7
NHM165	746	93	6	56	47	240	225	166	7	M 165x3	8.2
NHM170	773	97	6	58	48	245	232	171	7	M 170x3	8.6
NHM180	811	101	6	61	48	255	243	181	7	M 180x3	9.1
NHM190	921	115	8	92	50	270	255	191	8	M 190x3	10.5
NHM200	1013	127	8	101	50	280	267	201	8	M 200x3	11.5
NHM205	1055	132	8	106	51	290	272	207	8	Tr 205x4	12.3
NHM210	1077	135	9	121	52	295	278	212	9	Tr 210x4	12.7
NHM215	1098	137	9	124	53	300	283	217	9	Tr 215x4	13.2
NHM220	1155	144	9	130	53	305	288	222	9	Tr 220x4	13.5
NHM225	1221	153	10	153	54	315	296	227	9	Tr 225x4	15
NHM230	1286	161	10	161	54	320	302	232	9	Tr 230x4	15.3
NHM235	1300	162	10	162	54	325	307	237	9	Tr 235x4	15.5
NHM240	1318	165	10	165	55	330	312	242	9	Tr 240x4	16.1
NHM250	1448	181	10	181	56	345	325	252	10	Tr 250x4	18
NHM260	1497	187	11	206	57	355	337	262	10	Tr 260x4	19
NHM270	1571	196	12	236	58	370	348	272	10	Tr 270x4	21.1
NHM275	1634	204	12	245	58	375	337	277	10	Tr 275x4	21.5
NHM280	1698	212	12	255	59	380	342	282	10	Tr 280x4	22.3
NHM290	1749	219	13	284	60	390	352	292	10	Tr 290x4	23.3
NHM295	1842	230	13	299	60	400	362	297	10	Tr 295x4	25
NHM300	1910	239	13	310	61	405	365	302	10	Tr 300x4	25.8
NHM310	2007	251	13	326	62	415	375	312	10	Tr 310x5	27
NHM315	2035	254	13	331	62	420	385	317	10	Tr 315x5	27.5
NHM320	2123	265	14	372	63	430	405	322	10	Tr 320x5	29.9
NHM330	2163	270	14	379	64	440	415	332	11	Tr 330x5	31
NHM335	2191	274	14	383	64	445	420	337	11	Tr 335x5	32
NHM340	2266	283	14	397	65	450	425	342	11	Tr 340x5	32.5
NHM345	2295	287	14	402	65	455	430	347	11	Tr 345x5	33.5
NHM350	2449	306	14	429	66	465	438	352	11	Tr 350x5	35
NHM355	2430	304	15	456	67	470	445	357	11	Tr 355x5	36.5

Table continued ...



BOLTIGHT®

HYDRAULIC BOLT TENSIONING

BOLTIGHT is the UK Registered Trade Mark of Boltight Limited

HYDRAULIC BOLT TENSIONING

NHL and NHM Series Hydraulic Nuts for Mounting Bearings

Model Number	All measurements in mm										
	Max Load at 800 bar	Pressure Area	Stroke	Maximum Oil Volume	Height	Outside Diameter	Bearing Face Outside Diameter	Bearing Face Inside Diameter	Piston Flange Thickness	Thread Size	Weight
	kN	cm ²	mm	cm ³	A	D	D1	D2	K	Y	kg
NHM360	2509	314	15	470	67	475	450	362	11	Tr 360x5	37
NHM365	2533	317	15	475	67	482	455	367	11	Tr 365x5	38
NHM370	2570	321	16	514	68	490	460	372	11	Tr 370x5	40
NHM375	2651	331	16	530	68	495	465	377	11	Tr 375x5	41
NHM380	2682	335	16	536	69	500	472	382	11	Tr 380x5	41.5
NHM385	2765	346	16	553	69	505	478	387	11	Tr 385x5	42
NHM395	2868	358	16	574	69	512	488	397	11	Tr 395x5	43
NHM400	2945	368	17	626	71	525	495	402	11	Tr 400x5	47
NHM410	3065	383	17	651	71	535	505	412	11	Tr 410x5	48
NHM415	3097	387	17	658	71	540	510	417	11	Tr 415x5	49
NHM420	3130	391	17	665	72	545	517	422	12	Tr 420x5	50
NHM430	3195	399	17	679	74	555	527	432	12	Tr 430x5	52
NHM435	3228	404	17	686	74	560	533	437	12	Tr 435x5	53
NHM440	3438	430	17	731	74	565	538	442	12	Tr 440x5	54
NHM450	3508	438	17	745	76	580	548	452	12	Tr 450x5	58
NHM460	3577	447	18	805	76	590	560	462	12	Tr 460x5	59.5
NHM470	3646	456	18	820	76	600	570	472	12	Tr 470x5	61
NHM480	3715	464	18	836	76	612	582	482	12	Tr 480x5	63
NHM490	4147	518	19	985	80	625	593	492	13	Tr 490x5	69
NHM500	4222	528	20	1056	80	635	605	502	13	Tr 500x5	70



BOLTIGHT®
HYDRAULIC BOLT TENSIONING

BOLTIGHT is the UK
Registered Trade Mark
of Boltight Limited

FMA 001 B

Boltight Limited, Unit 2, Junction 10 Business Park, Bentley Mill Way, Walsall, West Midlands, WS2 0LE, United Kingdom.

Tel: +44 (0)845 500 5556 Fax no. +44 (0)845 500 5557

email: sales@boltight.com www.boltight.com