

HYDRAULIC BOLT TENSIONING

Bolt Tensioners for Diesel and Gas Engine Applications

Boltight's hydraulic bolt tensioners are used extensively in the assembly, servicing and repair of diesel and gas engines. These heavy-duty engines are normally installed in a marine environment or used for power generation.

Typical tensioning applications include tightening cylinder head bolts, big end bolts, palm end bolts and main bearing bolts. The tools are also invaluable for working on intermediate drives, counter weights and connecting rod upper and lower joints.

Boltight's tools have all been engineered to suit the technical requirements of the major OEM diesel and gas engine manufacturers, including GE Jenbacher, MWM, Deutz, Wartsila, MAN Engines, Cummins, Caterpillar, Perkins, Hitachi and Mitsubishi.

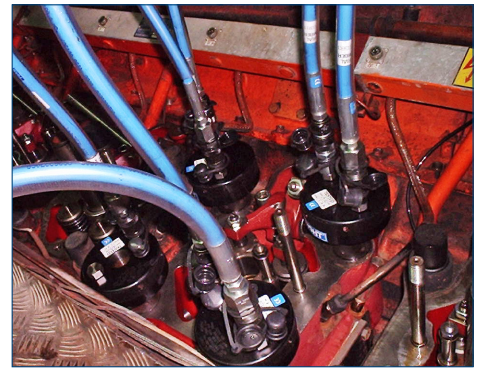
With the Boltight hydraulic tensioning system, engine bolts can be tensioned quickly and accurately. The tools, which are lightweight, durable and simple to use, feature the latest technology and incorporate composite seals that ensure easy piston retraction, long life operation and ease of maintenance. They are designed with an overstroke safety device and maximum stroke indicator for additional safety.

A complementary range of hydraulic pumps, hoses and fittings can be supplied with the tensioners. Special designs are also available on quick delivery terms.

An ISO 9001:2008 accredited company, Boltight guarantees that all its tensioning equipment conforms to the requirements of the European Pressure Equipment Directive and is CE Marked. A comprehensive Health & Safety, Operating Instruction Manual accompanies all tensioning equipment, providing easy to follow step-by-step instructions on how to use the product safely.

Benefits

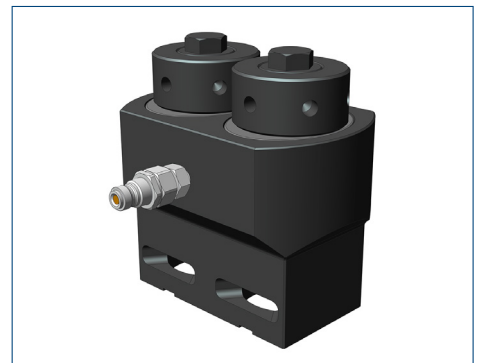
- Tools for all major engine OEMs
- Wide range of applications
- Lightweight hi-load
- Compact low maintenance design
- Overstroke safety device
- Complementary range of pumps, flexible hoses and fittings
- Quick delivery



Special tensioner for gas engine cylinder head.



MWM cylinder head tensioner.



Wartsila big end bearing multi-stud tensioner.



BOLTIGHT®
HYDRAULIC BOLT TENSIONING

BOLTIGHT is the UK
Registered Trade Mark
of Boltight Limited